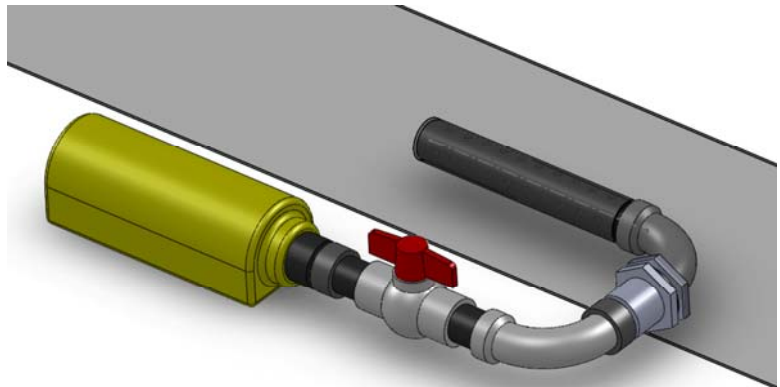




IMBIBER™ BAZOOKA DRAIN INSTALLATION

Drain Kit Contains:

- 1 - Bulkhead Drain w/ Gasket
- 2 - Slip Fit 90° Elbows
- 1 - Pre-filter Assembly
- 1 - Threaded Male Connector
- 2 - 3" Pipe Sections
- 1 - Ball Valve
- 1 - Imbiber™ Bazooka Cartridge
- 1 - 1.5" Drain Hole Template



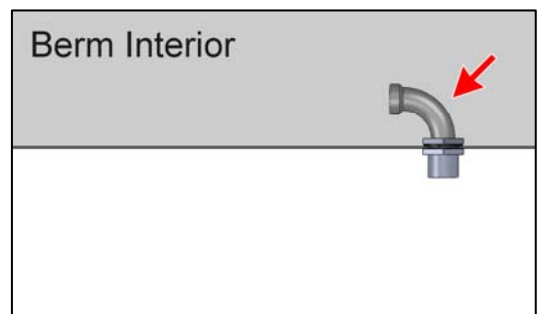
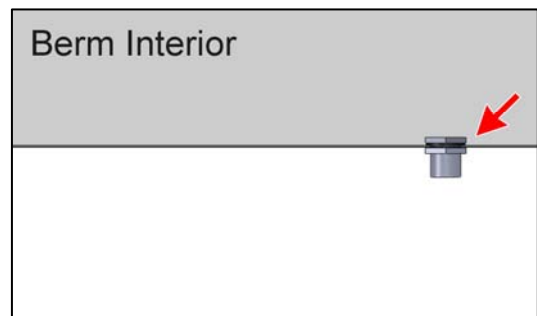
Tools Needed for Installation: *(not included)*

- 1 - Pencil
- 1 - Cutting Board
- 1 - Sharp Knife or Scissors
- 1 - Strap Wrench

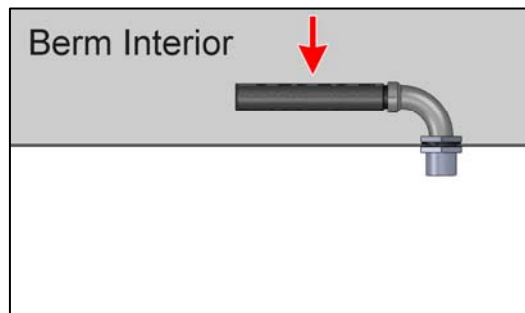
Please note: Adhesive can be used on joints for permanent installation.

Installation Instructions:

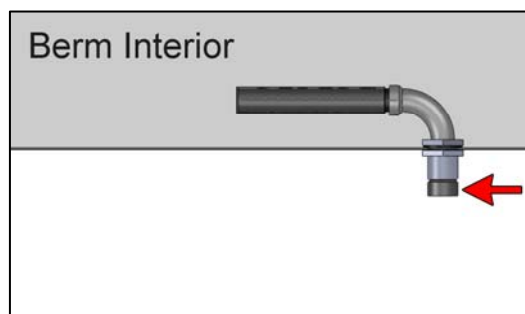
1. Using template provided locate, mark and cut the hole for Bulkhead Drain installation. Center of hole should be 3" above bottom edge of wall.
2. Install Bulkhead Drain into berm making sure drain gasket is located in berm interior and tighten using Strap Wrench *(not included)*.
3. Insert Slip Fit 90° Elbow into intake side of Bulkhead Drain.



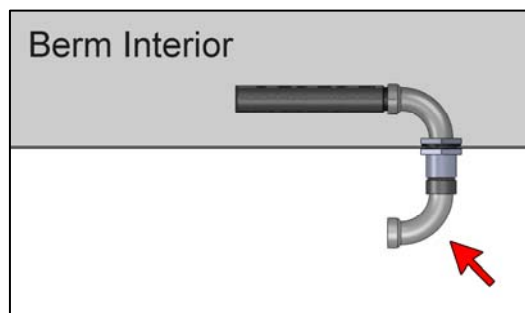
4. Attach Pre-filter to Slip Fit 90° Elbow.



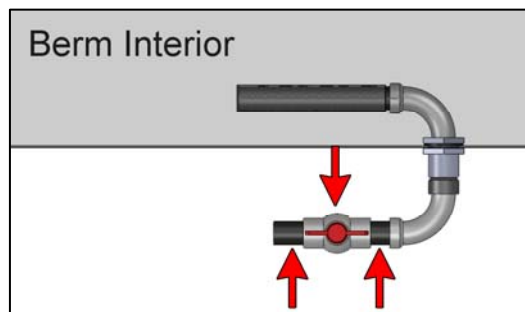
5. Attach Threaded Male Connector to the discharge end of Bulkhead Drain.



6. Insert Slip Fit 90° Elbow into Threaded Male Connector.



7. Insert one 3" Pipe section into each end of Ball Valve and attach to Slip Fit 90° Elbow.



8. Attach Imbiber™ Bazooka Filter to 3" Pipe section. Installation complete.

